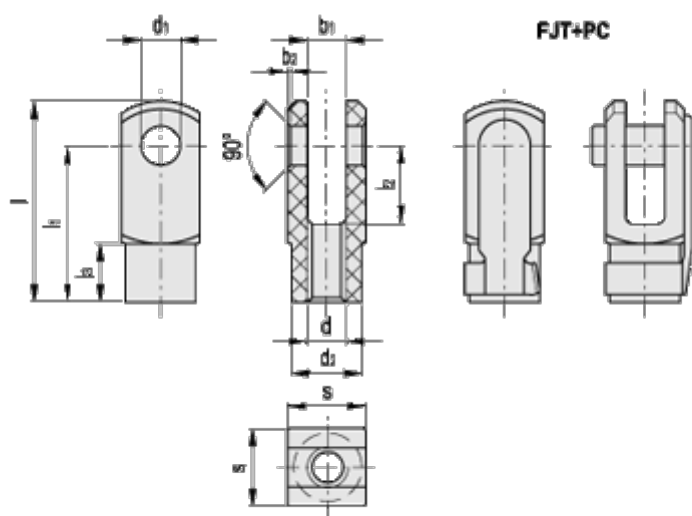


Article number: 2308470222

Description: Technopolymer fork joint 470222
FJT-M10x1,25+PC

Measures



b1 = 10

b2 = 0.5

d1 = 10

d2 = 18

d H6 = M10x1,25

l = 52

l1 = 40

l2 = 20

l3 = 15.0

s = 20

Size = G 10 x 20